

Oct. 18, 1966

N. KITZ

3,280,315

KEY CONTROLLED DECIMAL ELECTRONIC CALCULATING MACHINE

Filed Dec. 29, 1961

21 Sheets-Sheet 6

FIG. 7.

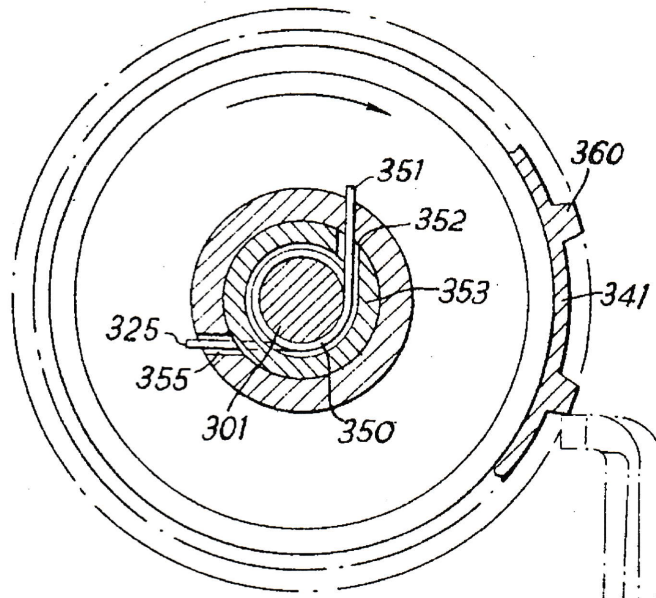
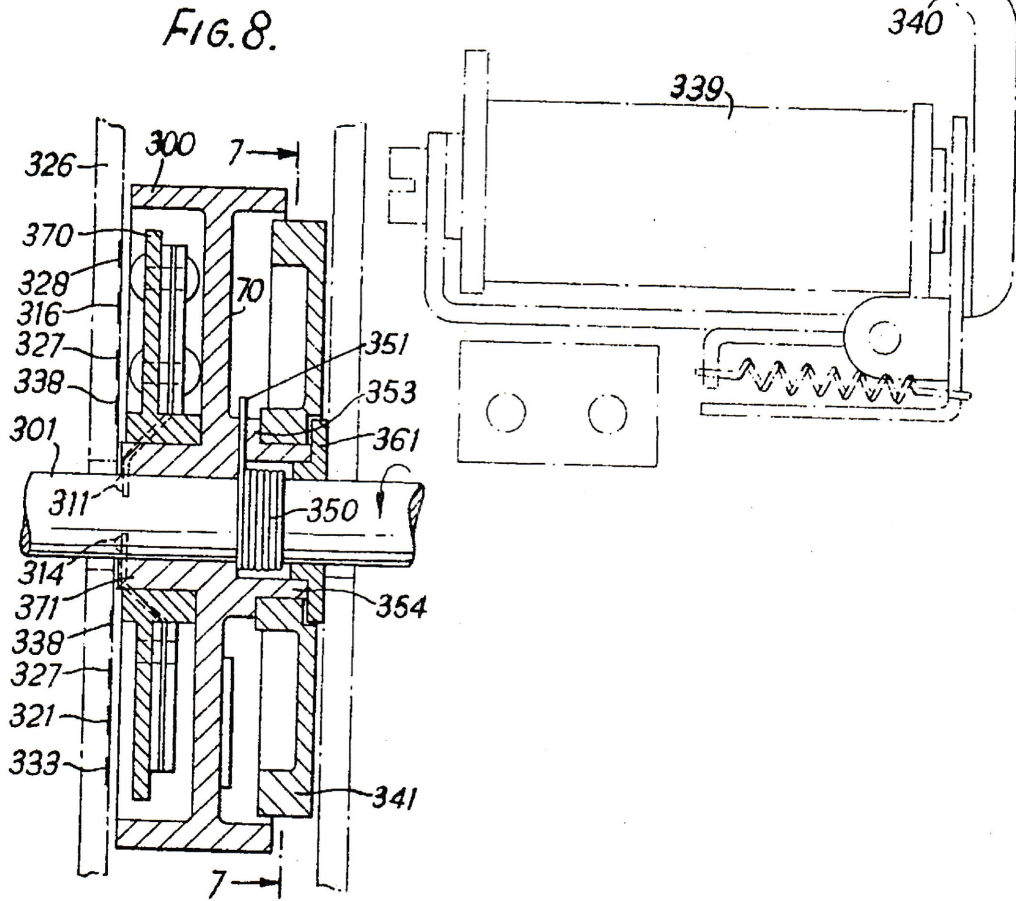


FIG. 8.



INVENTOR
NORBERT KITZ

BY
Perrine, Edmunds, Morton,
Barnes & Taylor
ATTORNEYS

FIG. 9.

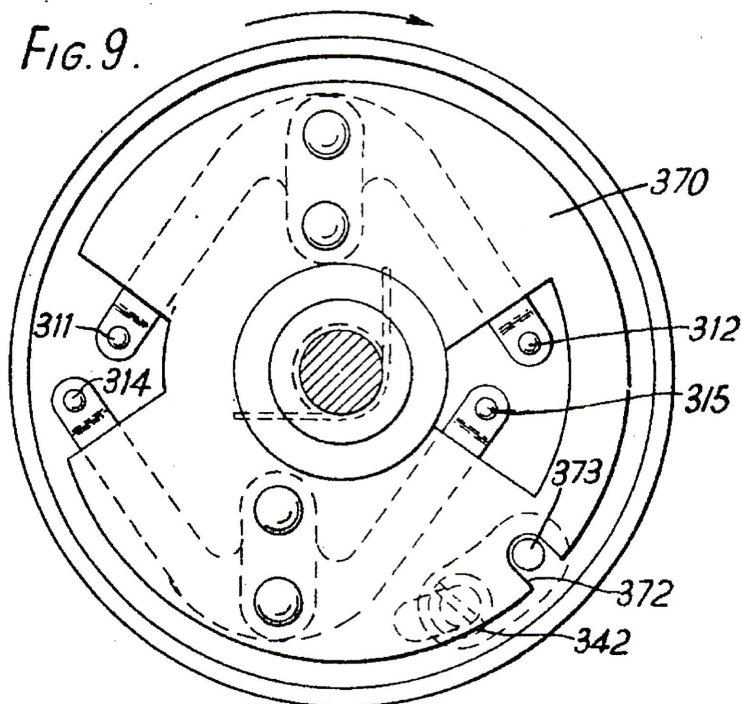
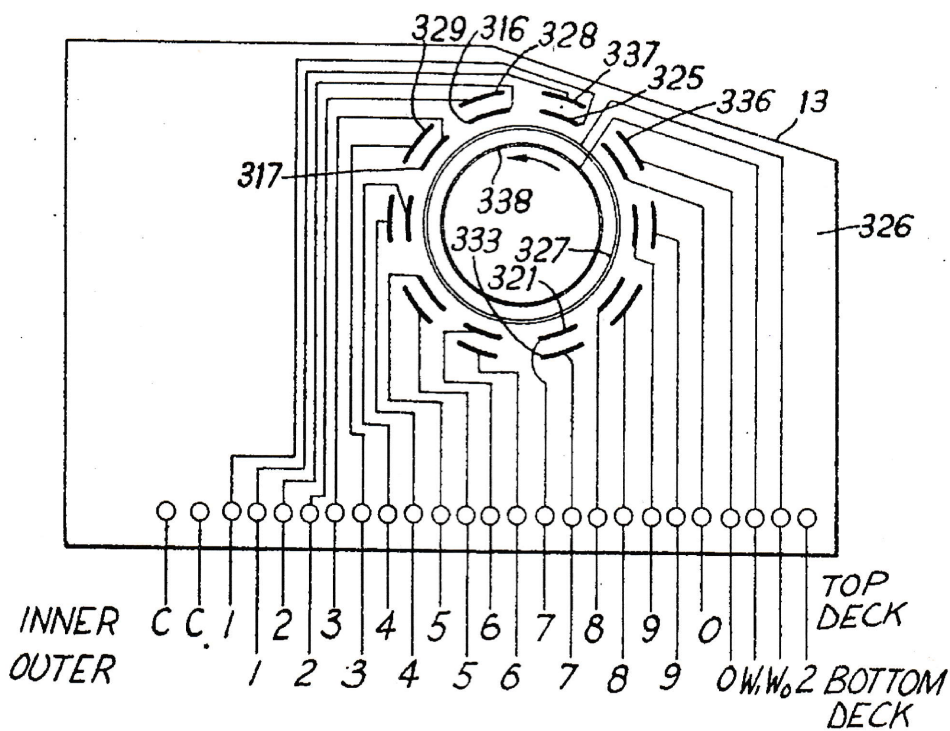


FIG. 10.



INVENTOR

NORBERT KITZ

BY
*Perrie, Edmunds, Morton
 Barrows & Taylor*
 ATTORNEYS