

KEY CONTROLLED DECIMAL ELECTRONIC CALCULATING MACHINE

Filed Dec. 29, 1961

21 Sheets-Sheet 1

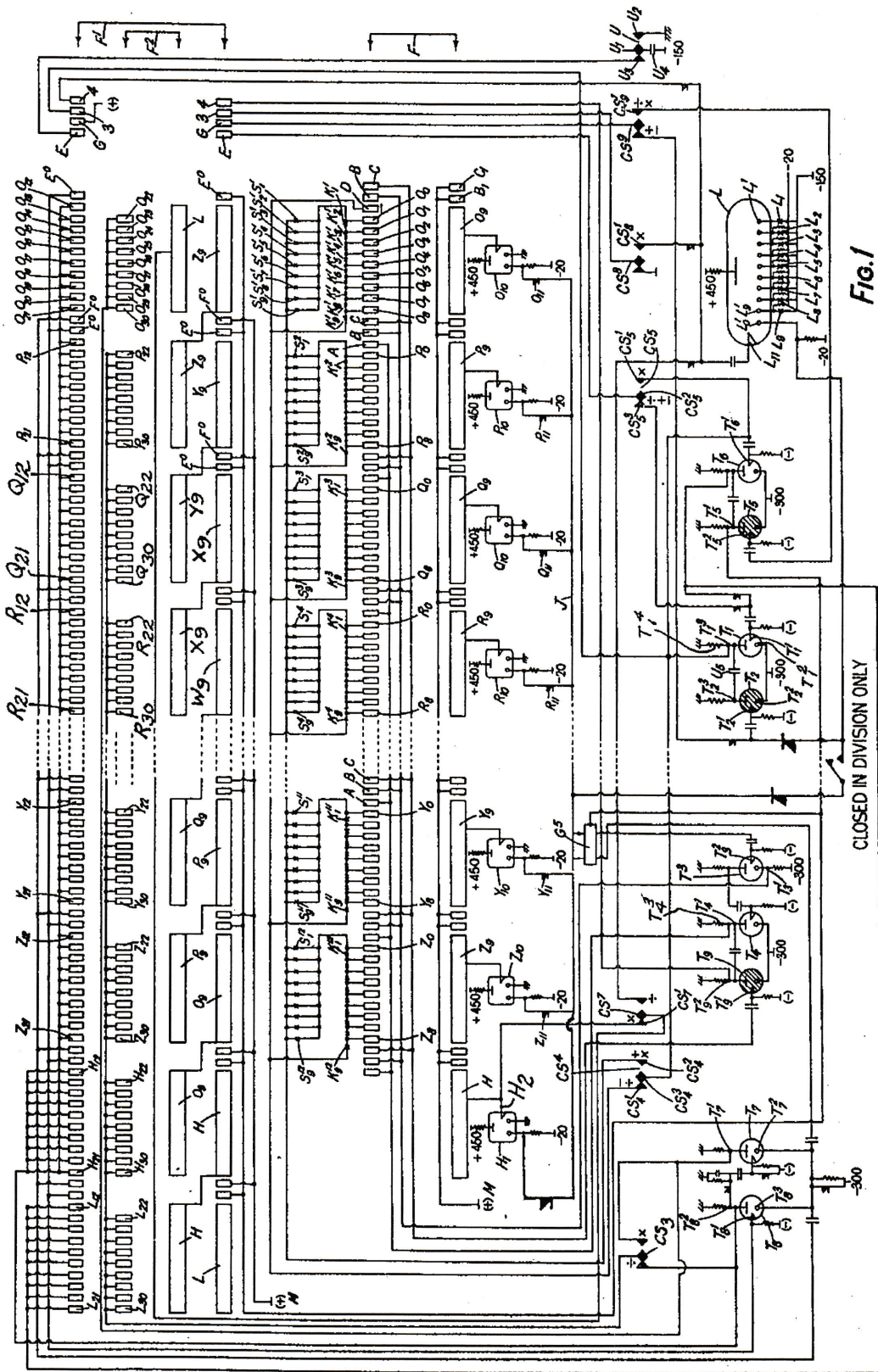


Fig. 1

INVENTOR  
NORBERT KITZ

BY  
*Pennie, Edmunds, Morton*  
*Barrows & Taylor*  
 ATTORNEY