

Oct. 18, 1966

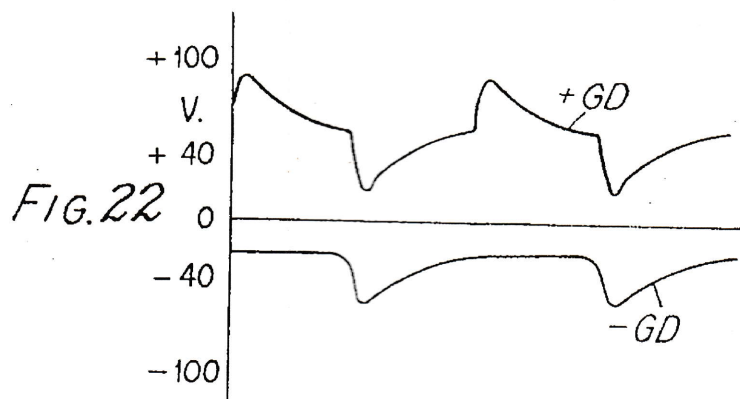
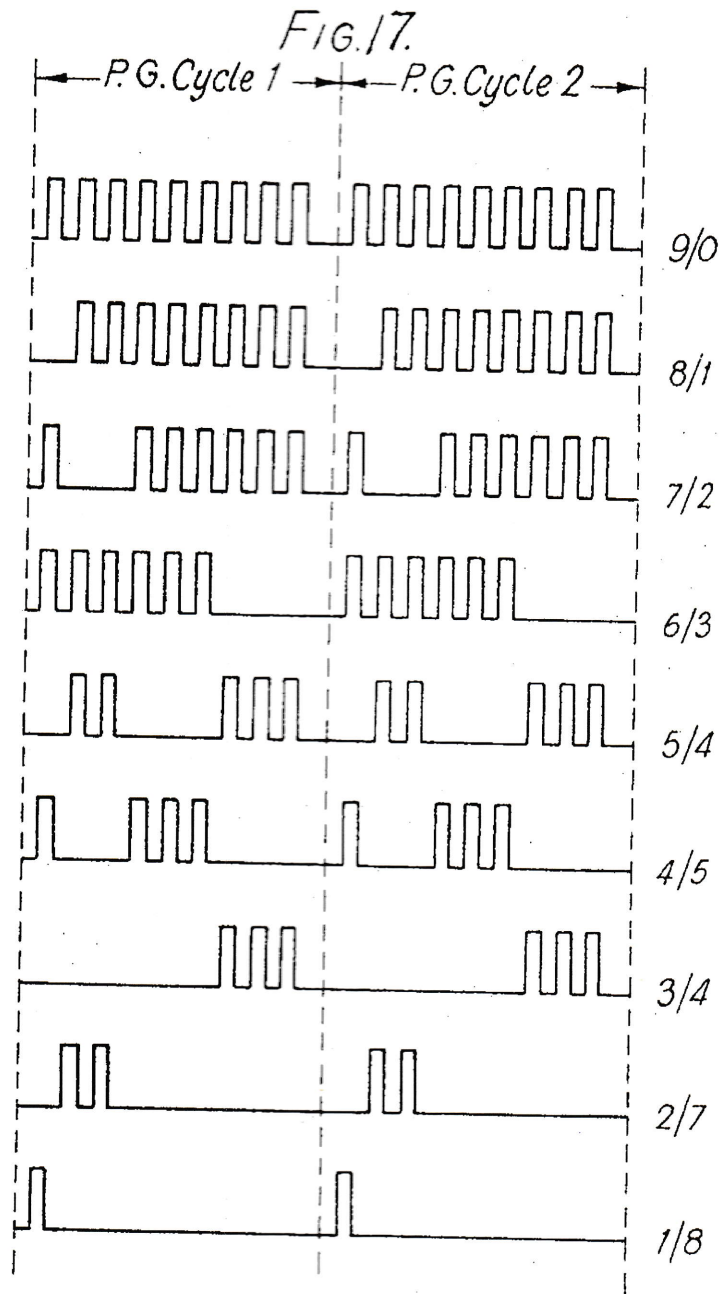
N. KITZ

3,280,315

KEY CONTROLLED DECIMAL ELECTRONIC CALCULATING MACHINE

Filed Dec. 29, 1961

21 Sheets-Sheet 14



INVENTOR

Norbert Kitz

BY

*Penn Edmund, Walter Barrows Taylor*

ATTORNEYS

Oct. 18, 1966

N. KITZ

3,280,315

KEY CONTROLLED DECIMAL ELECTRONIC CALCULATING MACHINE

Filed Dec. 29, 1961

21 Sheets-Sheet 15

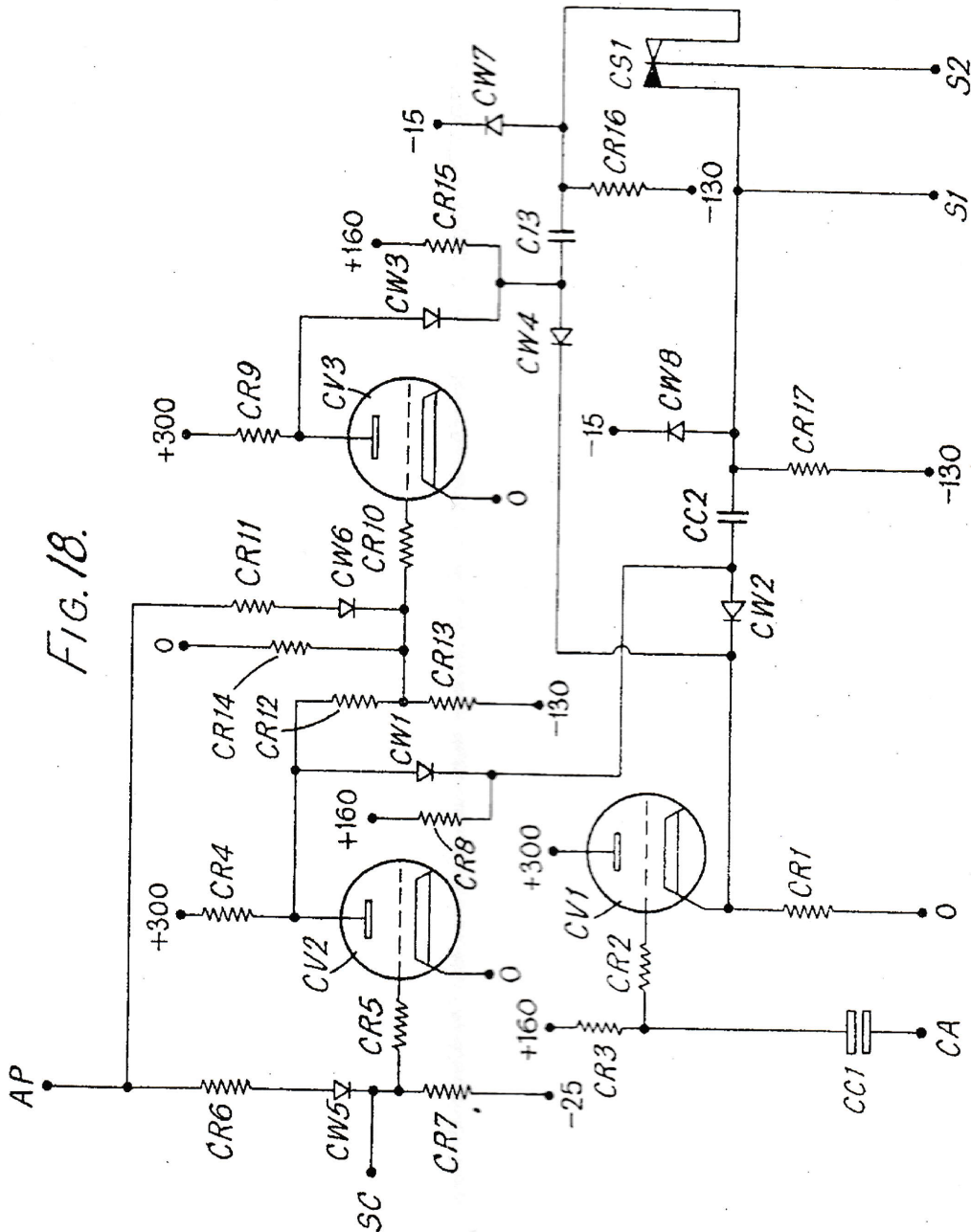


FIG. 18.

INVENTOR

Norbert Kitz

BY

*Perini Edwards Walter Beerman & Taylor*

ATTORNEYS