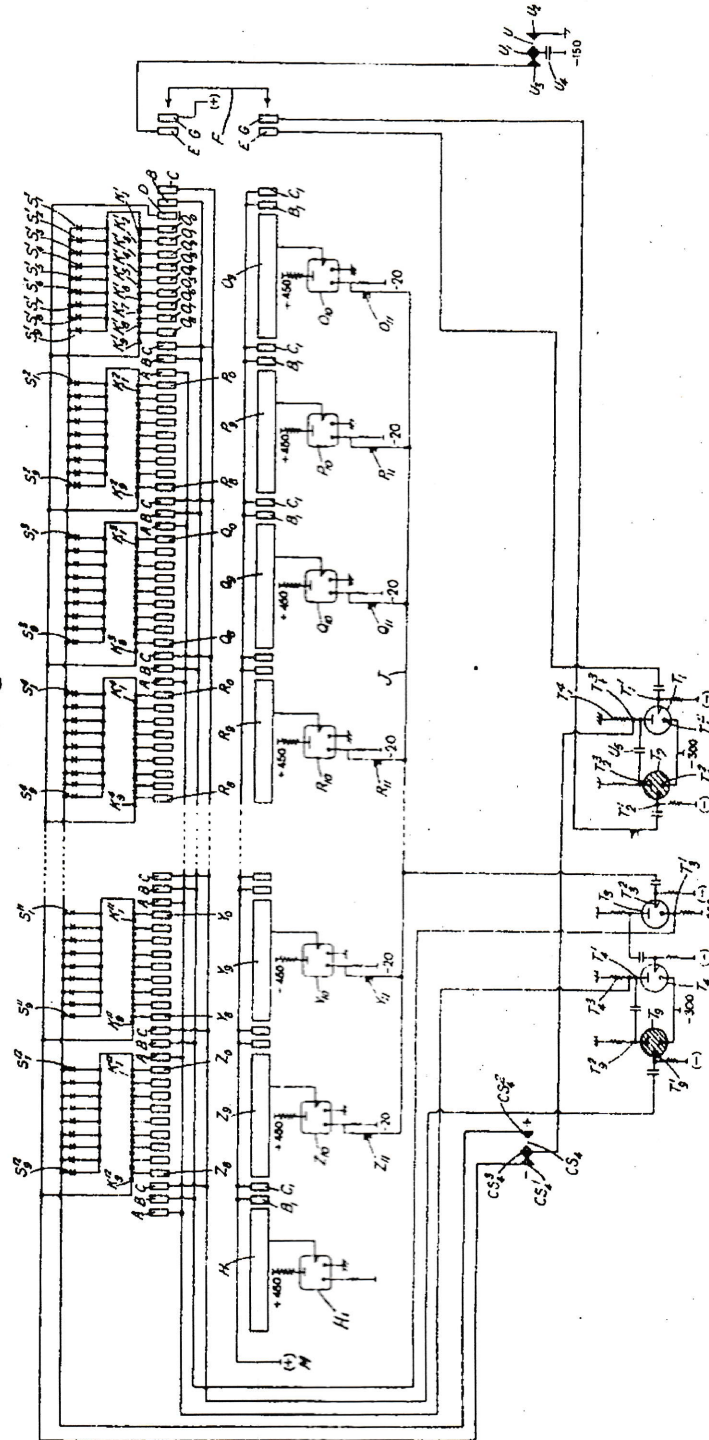


KEY CONTROLLED DECIMAL ELECTRONIC CALCULATING MACHINE

Filed Dec. 29, 1961

21 Sheets-Sheet 10

FIG. 13



INVENTOR  
 NORBERT KITZ

BY  
 Rennie Edmund Motter  
 Bassow & Fayson  
 ATTORNEYS

Oct. 18, 1966

N. KITZ

3,280,315

KEY CONTROLLED DECIMAL ELECTRONIC CALCULATING MACHINE

Filed Dec. 29, 1961

21 Sheets-Sheet 11

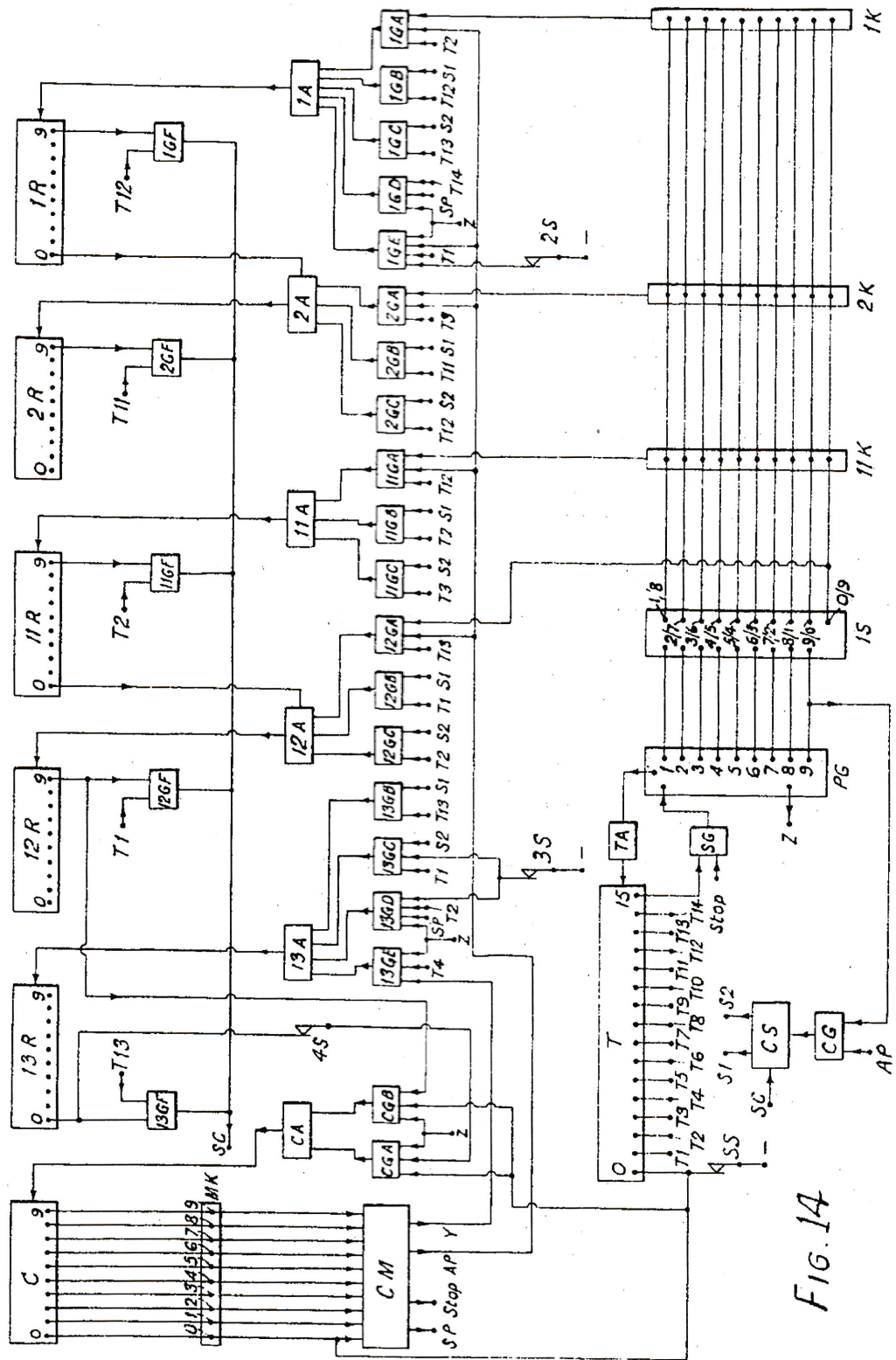


FIG. 14

INVENTOR

Norbert Kitz

BY

*Penic Edmunds, Walter B. ... & Taylor*

ATTORNEYS